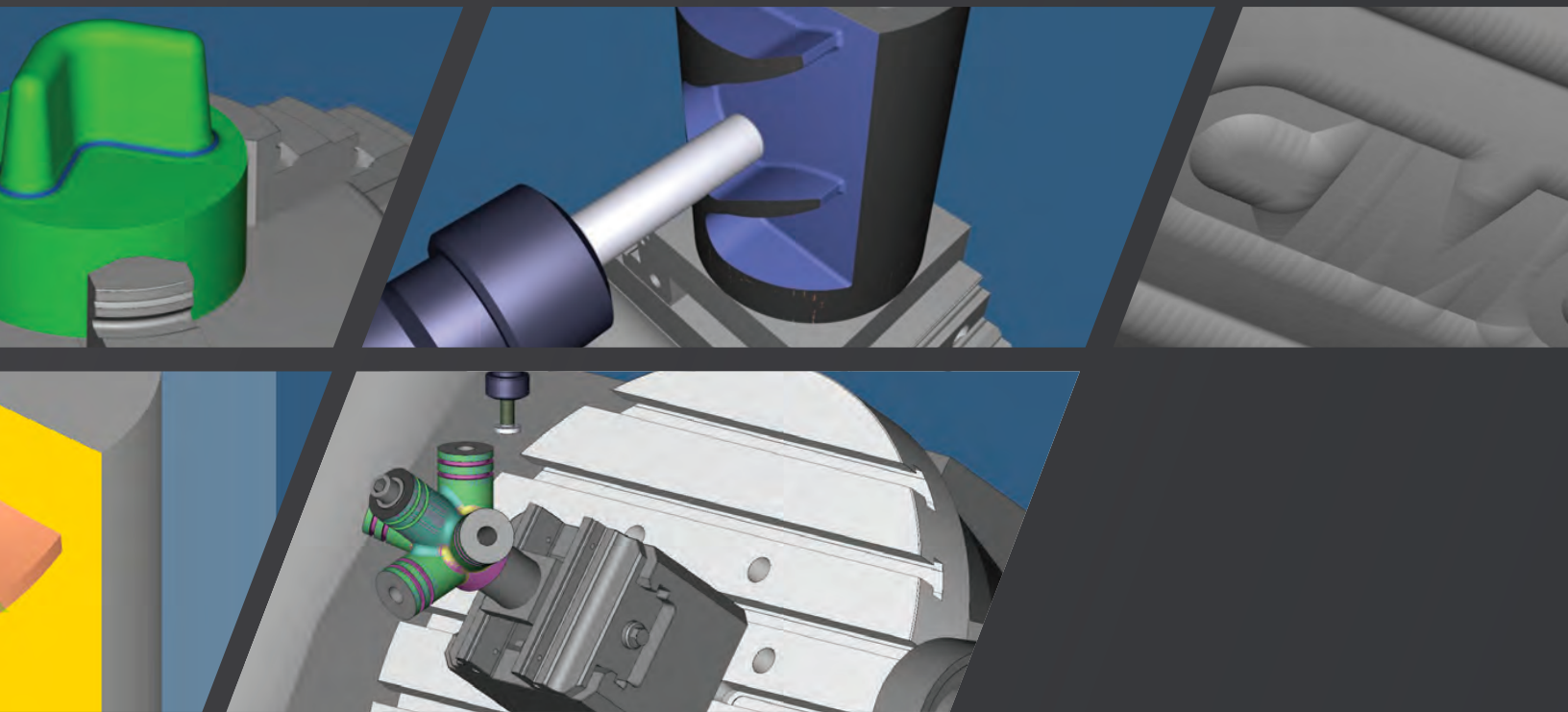


CIMCO EDIT *VERIFY*



**INTEGRATED AND ULTRAFAST
SOLID SIMULATION FOR MASTERCAM.®**

INCREDIBLE SPEED AND PERFORMANCE

Say goodbye to long wait times for stock simulation to finish processing. With CIMCO Edit Verify for Mastercam, you can run a full stock simulation from start to finish in just a few seconds or faster, even on complex parts. Utilizing the power of modern GPUs, you can even run the simulation in real-time at the highest quality and see the stock update as it happens.

MEASURE DISTANCE

Tool position		mm
X		-1.560
Y		2.275
Z		-3.440
C		373.400
B		0.000
Status		
Operation		2
Tool		338
Feed		0.348
Spindle speed		3180.400
Dist.		1947.000
Total		35203.649
		49952.297
Measure		mm
From X		-282.8998
From Y		-266.4005
From Z		-544.6909
To X		-282.9012
To Y		-279.4100
To Z		-544.6885
Distance		1.1426

CROSS SECTION VIEWS

QUALITY ZOOM

STOCK OPERATION COLORING

STOCK COMPARE

MACHINE SIMULATION

QUALITY ZOOM

Get a smaller cut-out of the stock with greatly improved quality and accuracy. You can base it on the current view or select a part of the screen. This feature is particularly useful for large parts.

SAVE STOCK TO STL

Save any state of the simulated stock as an STL file for use in further processing or other CAD/CAM software.

COLLISION DETECTION

Identify collisions between tool and workpiece/fixture as well as rapid moves to stock. Use Machine Simulation to get a detailed report of collisions between all geometries and machine models.

STOP CONDITIONS

Use Stop Conditions to simulate and halt the process at specific trigger events. For example, use it to stop if a rapid movement causes the tool to collide with the stock.

MULTI-LANGUAGE SUPPORT

Available in English, German, Spanish, French, Italian, Japanese, Korean and Danish.

SIMPLE TO USE BY DESIGN

Mastercam stock models are fully supported. You can easily select stock, workpiece, and fixtures, or set them in Mastercam levels or external STLs. Simply choose which operations to verify and start the simulator.

ADVANCED BACKPLOTTER

Use video-style controls to move back and forth in the simulation. Select from different toolpath modes and toggle the visibility of points, rapids, cutting moves, tool vectors, and more. Detailed information is available for each toolpath line and arc segment.

BUILT-IN MACHINE SIMULATION

Use Machine Simulation to detect machine collisions and limit errors on 3, 4 and 5-axis machines. CIMCO Edit Verify makes simulating painless by providing good defaults and automatic workpiece positioning. You can even toggle between Verify and Machine Simulation without having to restart the simulation.

STOCK COMPARE

Compare the stock model to the workpiece geometry. The stock is colored based on distance to workpiece, making it easy to see where too much stock has been left or where too much has been machined.

STOCK OPERATION COLORING

Color the stock with a different color for each operation. This is particularly useful for finish operations, where you can see at a glance if the operation covers the entire stock or if parts of the surface are left from previous operations.

CROSS SECTION VIEWS

Use cross section planes to get a two-dimensional slice of the stock and workpiece. Easily see how the stock compares to the workpiece on the plane.

MEASURE DISTANCE

Measure the distance between any two points on toolpath and geometries.

UNLOCK THE FULL POTENTIAL
OF YOUR PRODUCTION WITH THE

FULL SUITE OF CIMCO PRODUCTS

CIMCO PROBING

Program CNC touch probes from different vendors such as Heidenhain and Renishaw in Mastercam.



CIMCO MDM

Organize, manage and access all of your manufacturing documents such as Mastercam part files, NC G-code, setup sheets, and tool lists from anywhere.



CIMCO MDC-MAX

Collect shop floor data in real-time to discover bottlenecks, optimize resource utilization and streamline processes.



CIMCO DNC-MAX

Transfer your posted Mastercam code files back and forth directly to your CNC Machines.



EDIT INTEGRATION

Transfer code, tools, holders, workpiece, fixture and stock directly from Mastercam to CIMCO Edit.



MACHINE SIMULATION

Prove out and run your post processed code all while checking for collisions against vital components of your machine and its travel limits.



CIMCOVERIFY.COM DOWNLOAD YOUR FREE TRIAL TODAY

Experience CIMCO Edit Verify first hand. Visit cimcoverify.com to request a free trial license, download the latest version and learn how to master CIMCO Edit Verify.

MAIN OFFICES

DENMARK

CIMCO A/S
VERMUNDSGADE 38A
COPENHAGEN, DENMARK

TEL: +45 45 85 60 50
FAX: +45 45 85 60 53
EMAIL: info@cimco.com

AMERICAS

CIMCO AMERICAS, LLC
1980 N ATLANTIC AVE STE 229
COCOA BEACH, FL 32931

TEL: +1 704 644 3587
FAX: +1 704 943 0514
EMAIL: info@cimco.com



CIMCO HEADQUARTERS AND MAIN TRAINING FACILITY ARE LOCATED IN THE DANISH CAPITAL COPENHAGEN. THIS IS THE BASE OF OPERATION FOR THE SALES AND SUPPORT TEAM. OUR TECHNICAL SERVICE STAFF TRAVELS WORLDWIDE AND HAS LOCAL OFFICES IN SELECT COUNTRIES.



Shopware Inc.
2175 Point Blvd.
Ste 100
Elgin, IL 60123
888-222-7126
cimco@shopwareinc.com



More information at
www.cimco.com



Watch our videos at
[@cimcoveideo](https://www.youtube.com/cimcoveideo)



Follow on Facebook
[/cimco](https://www.facebook.com/cimco)



Follow on LinkedIn
[/company/cimco-a-s](https://www.linkedin.com/company/cimco-a-s)

